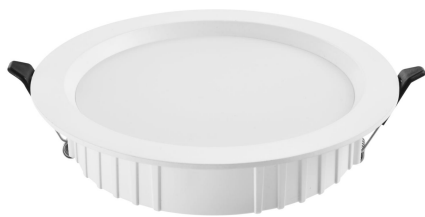


PRODUCT DATASHEET

Recessed Panel light HYD-116E-20W 6500K



Application

- Office
- Kitchen
- Rest room
- Corridor
- Shop

Benefits

- Flicker free.
- The light is soft and bright
- Drive stable, safe and reliable
- High light transmission mask to ensure uniform light

Features

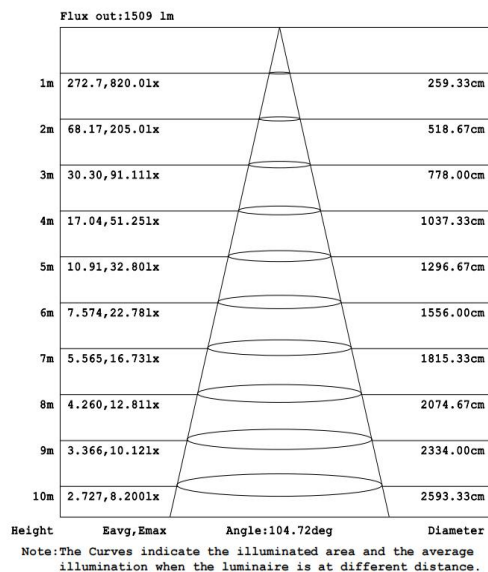
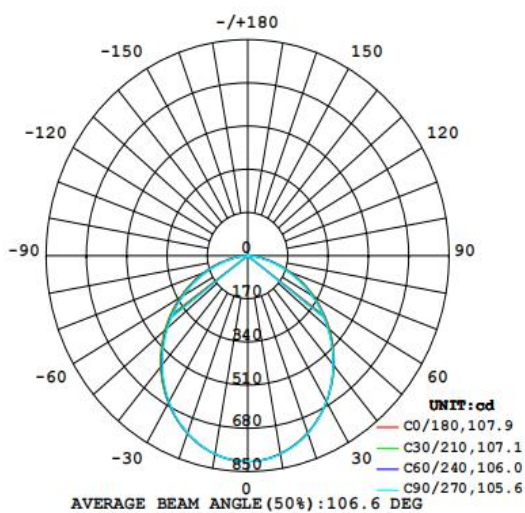
- Efficient and durable
- Easy and quick installation
- Light body thin design, reduce space occupancy
- Die-cast aluminum body for better heat dissipation, anti-corrosion, and easy maintain

Electrical Data

Nominal wattage (W)	20W
Nominal Voltage (V)	220-240
Mains Frequency (Hz)	50/60 Hz
Nominal Current (mA)	156
LED Driver Current (mA)	500
LED Driver Voltage (VDC)	27-42
LED Driver Efficiency (%)	85%
Power Factor λ	0.55C
Total harmonic distortion (%)	...
Operating mode	External LED driver

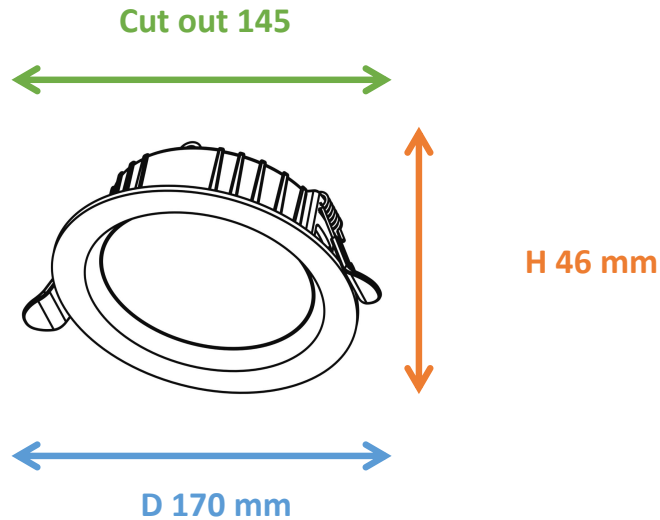
Photometrical data

Luminous flux $\pm 10\%$ (lm)	2145 lm
Luminous efficacy	110 lm/w
Color temperature	6500K
Light color (designation)	Cold White
Color rendering index Ra	≥ 80
Standard deviation of color matching	≤ 5 SDCM
Luminous intensity/cd	811
Flickering	Flicker free
Beam angle	107 °



Dimensions & Weight

Diameter (mm)	170
Height (mm)	46
Product weight (g) / Drive not included	253



Material & Colors

Product color	All White
Housing color	White
Body material	Aluminum
Cover material	PC
Reflector color	White
Mercury content	0.0 mg

Application & Mounting

Ambient temperature range	-20°C~+45 °C
Temperature range at storage	-25°C~+60 °C
Type of connection	Screwless terminal
Type of protection	IP20
Dimmable	No
Mounting type	Recesse mounted
Mounting location	Ceiling
Application environment	Indoor
Cut size (mm)	145
LED module replaceable	Not replaceable
With light source	Yes

Certificates & Lifespan

Life (h)	50,000
Certificates	CB LVD EMC RoHS
Standards	ISO9001:2015

Logistical Data

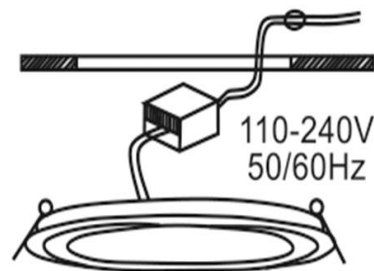
Product code	Dimensions (L*W*H)	Pcs/ carton	G.W. kg	Volume CBM
HYD-116E-20W	42*27*38.5 cm	20	...	0.04366

Installation Method

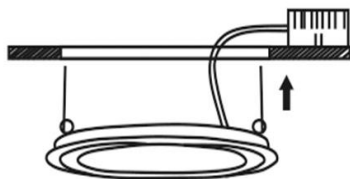
1. Cut hole according to lamp cut size



2. Cut off electrical power connect the lamp wire



3. Install the lamp onto the ceiling



4. Like this finish installation



Disclaimer

Subject to change without notice. Errors and omission excepted. Always make sure to use the most recent release