

PRODUCT DATASHEET

IP65+ALuminum+PC Linear Light
HYD-T12-40W 6500K



Application

- Office
- School
- Corridor
- Meeting room
- Shop

Benefits

- Flicker free
- Protection against water & dust, IP65
- Linear lamp body to achieve geometric design, free splicing, decorating space
- It can be installed in various ways, such as ceiling, hoisting and embedding, to achieve rich light and shadow space design

Features

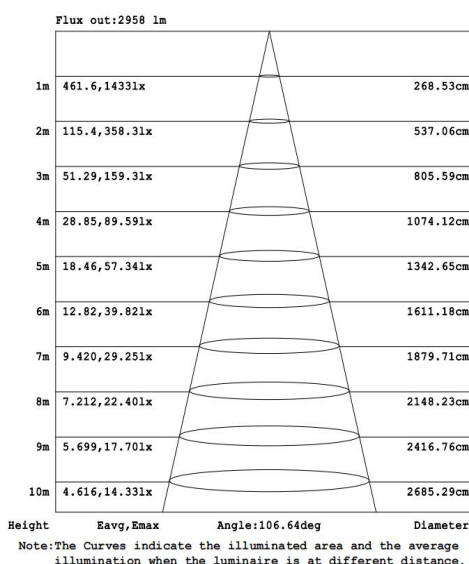
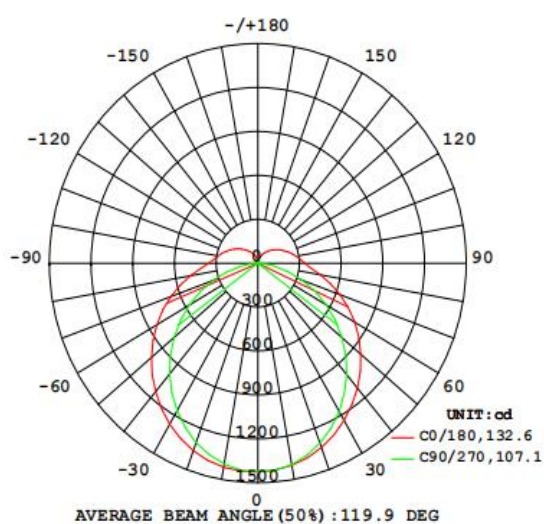
- Clear PC Lenses
- Warranty 5 years
- Easy and quick installation
- Die-cast aluminum body for better heat dissipation, anti-corrosion, and easy maintain

Electrical Data

Nominal wattage (W)	40 W
Nominal Voltage (V)	220-240 V
Mains Frequency (Hz)	50/60 Hz
Nominal Current (mA)	180
LED Driver Current (mA)	1050
LED Driver Voltage (Vdc)	24-38.5
LED Driver Efficiency (%)	87%
Power Factor λ	0.95
Total harmonic distortion (%)	<5%
Operating mode	Built in LED driver

Photometrical data

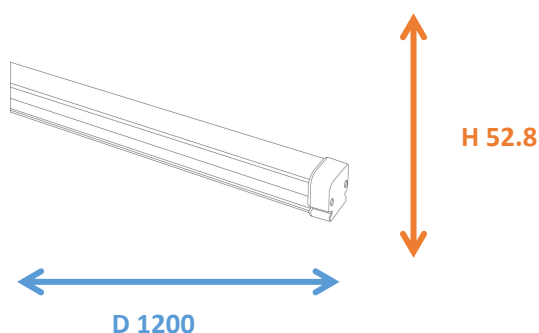
Luminous flux $\pm 10\%$ (lm)	5313
Luminous efficacy	137
Color temperature	6000-6500K
Light color (designation)	Cold White
Color rendering index Ra	≥ 80
Standard deviation of color matching	≤ 5 SDCM
Luminous intensity/cd	1426
Flickering	Flicker free
Beam angle	120°



IES

Dimensions & Weight

Diameter (mm)	1200*55
Height (mm)	52.8
Product weight (g)	1165



Material & Colors

Product color	White
Housing color	White
Body material	Aluminum
Cover material	PC
Mercury content	0.0 mg

Application & Mounting

Ambient temperature range	-20°C - +45 °C
Temperature range at storage	-25°C - +60 °C
Type of connection	Screwless terminal
Type of protection	IP65
Dimmable	No
Mounting type	Surface mounted
Mounting location	Ceiling
Application environment	Indoor/Outdoor
Cut size (mm)	No
LED module replaceable	Not replaceable
With light source	Yes

Certificates & Lifespan

Life (h)	50,000
Certificates	CB CE LVD EMC
Standards	ISO9001:2015

Logistical Data

Product code	Dimensions (L*W*H)	Pcs/ carton	G.W. kg	Volume CBM
HYD-T12-40W	127*16*37.5 cm	10	...	0.0762

Installation Method

- ① Fix the 2 bracket on the ceiling with the screws



- ② Clip the light for connecting lines into the bracket and complete the installation



Disclaimer

Subject to change without notice. Errors and omission excepted. Always make sure to use the most recent release.